

Are the triangles
congruent?
If so, why?

- A) Yes, AAS
- B) No
- C) Yes, SAS
- D) Yes, SSS
- E) Yes, AAA

Ms. Duffy was in the cafeteria

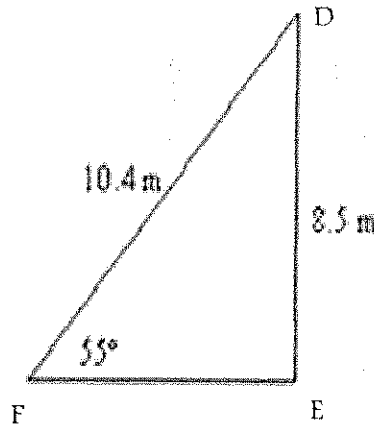
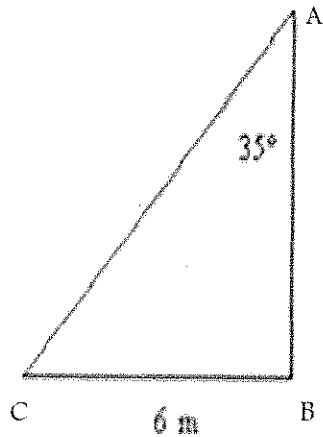
Ms. Fischer was in Mr. Crayton's office

Mrs. Hammond was in the media center

Mrs. Woolley was at Bojangles

Mr. Taylor was on the basketball courts.

2

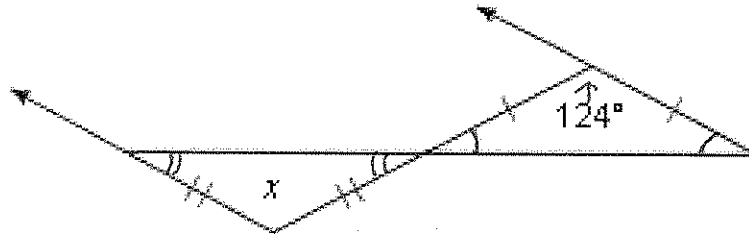


Given $\triangle ABC$ is congruent to $\triangle DEF$, find $m\angle E$ and AC.

- A) $m\angle E = 35$; $AC = 10.4$
- B) $m\angle E = 90$; $AC = 10.4$
- C) $m\angle E = 90$; $AC = 8.5$
- D) $m\angle E = 100$; $AC = 10.4$
- E) $m\angle E = 85$; $AC = 8.5$

The weapon was not an algebra book
The weapon was not a pen
The weapon was not a calculator
The weapon was not a protractor
The weapon was not cafeteria food

3

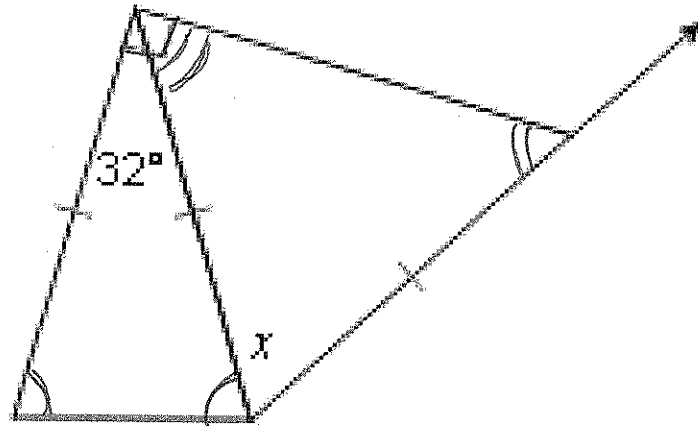


Find the value of x .

- A) 56°
- B) 112°
- C) 159°
- D) 148°
- E) 124°

Mrs. Woolley was in the cafeteria
Ms. Duffy was in Mr. Crayton's office
Mr. Wolfe was in the media center
Ms. Fischer was in student services
Ms. Plant was in Mr. Crayton's office

4

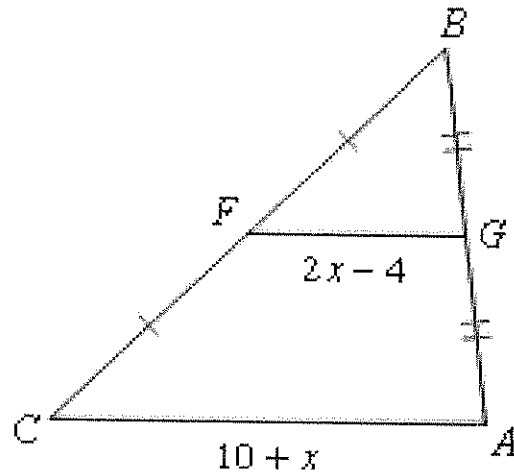


Find the value of x .

- A) 77°
- B) 64°
- C) 63°
- D) 51°
- E) 148°

The weapon is NOT....
an algebra book
a calculator
cafeteria food
protractor
compass

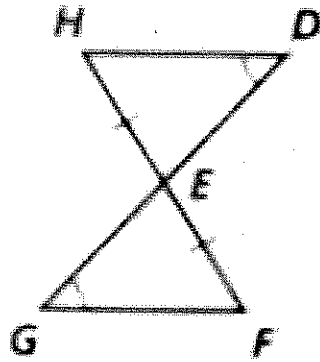
5



Find FG.

- A) 8
- B) 3
- C) 24
- D) 9
- E) 16

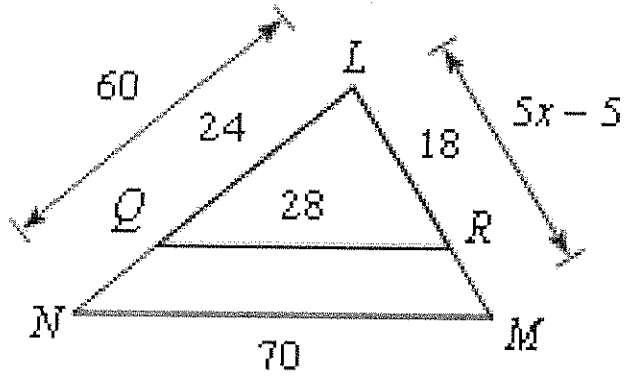
Ms. Fischer was in student services
Ms. Duffy was in the cafeteria
Mrs. Hammond was in the media center
Mrs. Woolley was at Bojangles
Mr. Taylor was in Mr. Crayton's office



Are the triangles
congruent?
If so, why?

- A) Yes, ASA The weapon was not a compass
- B) Yes, AAS The weapon was not cafeteria food
- C) No The weapon was not a calculator
- D) Yes, SSA The weapon was not a pen
- E) Yes, SAS The weapon was not a protractor

7



Given the triangles are similar, solve for x .

- A) 8
- B) 3
- C) 24
- D) 9
- E) 10

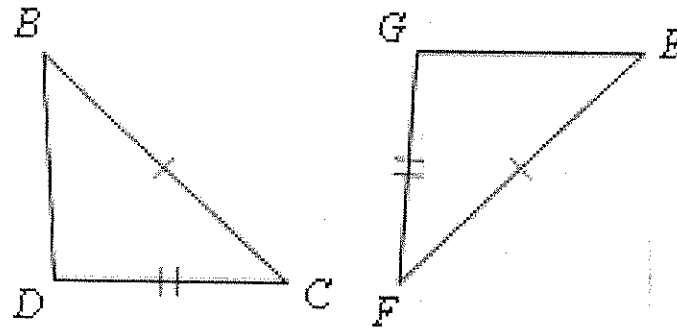
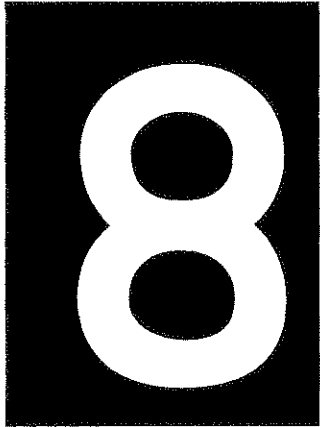
Ms. Plant was in Mr. Crayton's office.

Ms. Fischer was at Bojangles

Ms. Duffy was on the basketball courts.

Mrs. Hammond was in the cafeteria

Mr. Taylor was at Bojangles

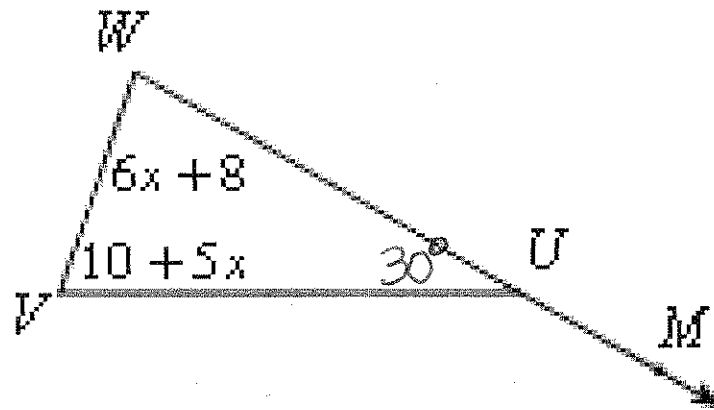


What additional information is needed to prove the triangles are congruent by SAS?

The weapon is NOT....

- A) $\angle B \cong \angle E$ an algebra book
- B) $BD = GE$ a calculator
- C) $\angle D \cong \angle G$ cafeteria food
- D) $\angle C \cong \angle F$ protractor
- E) $BD = FE$ compass

9



Find the measure of angle V .

- A) 87°
- B) 80°
- C) 57°
- D) 67°
- E) 70°

Ms. Duffy was in the library

Ms. Hammond was in the cafeteria

Mrs. Woolley was in student services

Mr. Taylor was in Mr. Crayton's office

Mr. Wolfe was on the basketball courts

10

Elizabeth's eyes are 150 cm from the floor. She places a mirror on the floor 18 m from the base of a climbing wall. She walks backward 120 cm, until she sees the top of the wall in the mirror. What is the height of the climbing wall?

(Hint: Statue problem #1 on Notes)

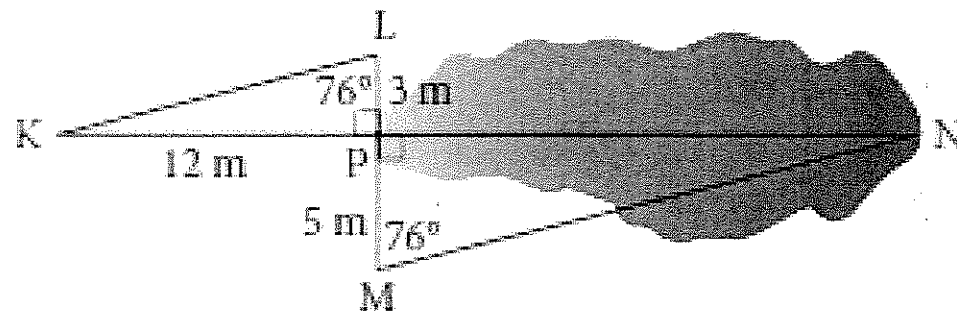
The weapon was NOT...

- A) 2550 cm or 25.5m a calculator.
- B) 1250 cm or 12.5m a pen.
- C) 2000 cm or 20m an algebra book.
- D) 1800 cm or 18m a protractor.
- E) 2250 cm or 22.5m a compass.

1

1

To find the length of a pond, a surveyor took some measurements. She recorded them on this diagram. What is the length of the pond?



- A) 11.25m
- B) 15m
- C) 20m
- D) 1.25m
- E) 10.25m

Mr. Taylor was coaching a game
Ms. Duffy was vacationing in Florida
Mrs. Woolley was out sick
Ms. Fischer was in jury duty
Ms. Plant was in the hospital